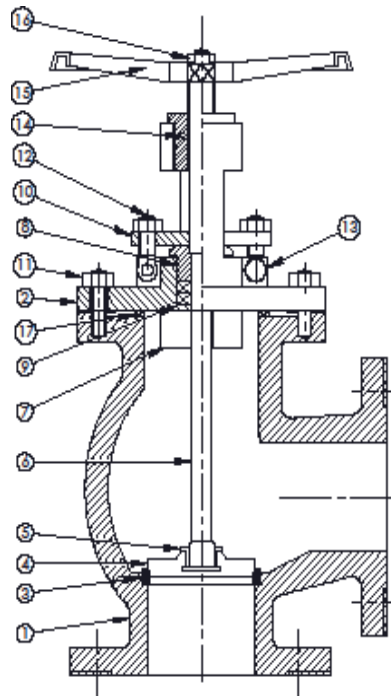


ANGLE SDNR



SR NO.	PART LIST
1	BODY
2	BONNET
3	SEAT RING
4	PLUG
5	PLUG NUT
6	SPINDLE
7	BONNET BUSH
8	GLAND BUSH
9	GLAND PACKING
10	GLAND FLANGE
11	STUD & NUT
12	EYEBOLT & NUT
13	BOLT & NUT
14	YOKE NUT
15	HAND WHEEL
16	WHEEL NUT
17	GASKET

ANGLE SDNR - This has an opening that forms a seat onto which a movable plug, called disk or disc, which can be screwed in to close (or shut), or screwed out to open the **valve**. **Valves** offers two varieties of

Globe **Valves**: **SDNR**, **Screw Down Non Return**; and, **SDSL**, **Screw Down Screw Lift**.

Size Range - 15mm to 300mm

Pressure Range - PN6, PN10, PN16, PN40, PN63, PN100

Pressure Range - 150# to 600#

Manufacturing Standard - DIN, JIS, ASME, IS, EN

Operation Type : Manual, Gear Box, Pneumatic, Electrical,

Hydraulic Connections End: Flanged, Screwed, Butt Weld,

Socket Weld, Wafer type

Materials : NES747, LG4C, CC492K, CC491K, WCB, CF8, CF3, CF8M, CF3M, CN7M,
All Grades of Gun Metal & Bronze

Special Exotic Material - Duplex, Super Duplex, Hastalloy, Monel, Inconel

Inspection Agencies - Lloyd' s Register, ABS, BV, DNV, IRS, RINA, IRS etc.