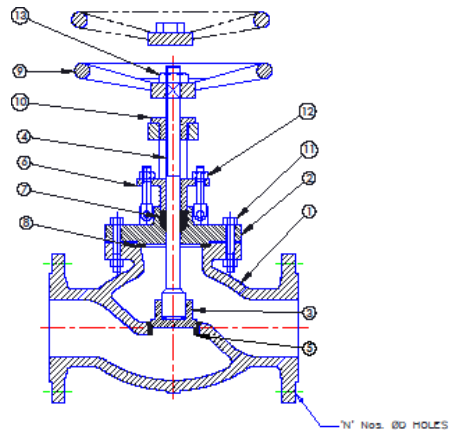


SDNR



SR NO.	PART LIST
1	BODY
2	BONNET
3	PLUG
4	SPINDLE
5	SEAT RING
6	GLAND
7	GLAND PACKING
8	GASKET
9	HAND WHEEL
10	YOKE BUSH
11	STUD & NUTS
12	EYE BOLTS & NUTS
13	HAND WHEEL NUT

SDNR – This has an opening that forms a seat onto which a movable plug, called disk or disc, which can be screwed in to close (or shut), or screwed out to open the **valve**. **Valves** offers two varieties of Globe **Valves**: **SDNR, Screw Down Non Return**; and, **SDSL, Screw Down Screw Lift**.

Size Range – 15mm to 300mm

Pressure Range - PN6, PN10, PN16, PN40, PN63, PN100

Pressure Range – 150# to 600#

Manufacturing Standard – DIN, JIS, ASME, IS, EN

Operation Type : Manual, Gear Box, Pneumatic, Electrical, Hydraulic

Connections End: Flanged, Screwed, Butt Weld, Socket Weld, Wafer type

Materials : NES747, LG4C, CC492K, CC491K, WCB, CF8, CF3, CF8M, CF3M, CN7M,



SDNR

All Grades of Gun Metal & Bronze



SDNR

Special Exotic Material – Duplex, Super Duplex, Hastalloy, Monel, Inconel

Inspection Agencies – Lloyd's Register, ABS, BV, DNV, IRS, RINA, IRS etc.